


Solar Bike Rack - Surface Mount(AKS)

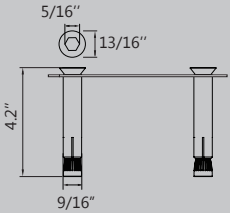




Notice to Installer

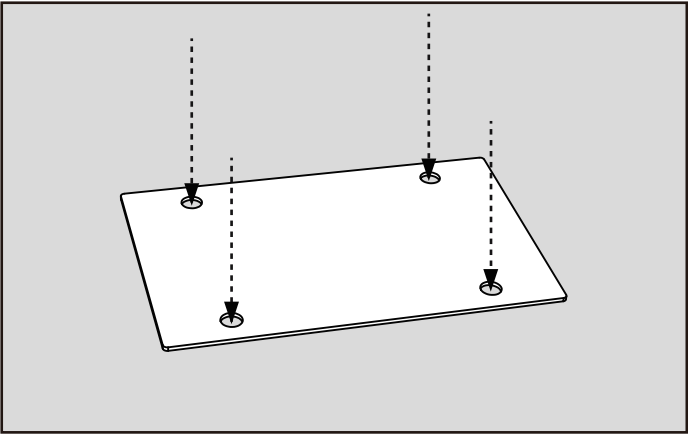
- No wiring connections.
- No transformers present. Our lights do not have an on-off switch since they are triggered by an auto photo sensor.
- Low voltage; therefore no electrical safety hazards.

MATERIALS INCLUDED



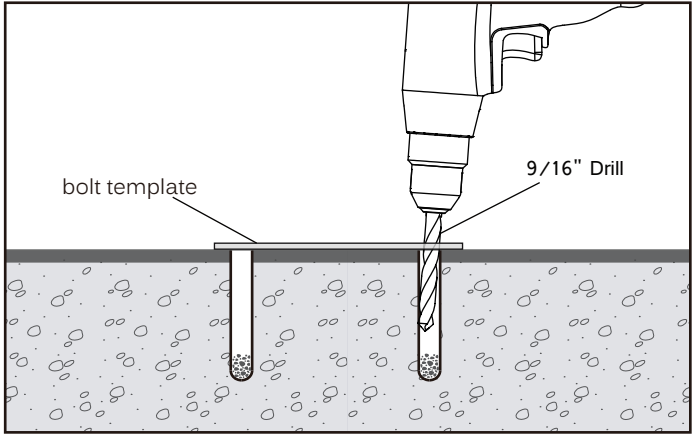
AK-S (Surface Mounted)

- 1 bolt template
- 4 hot dipped galvanized wedge anchors(9/16"x4.1")



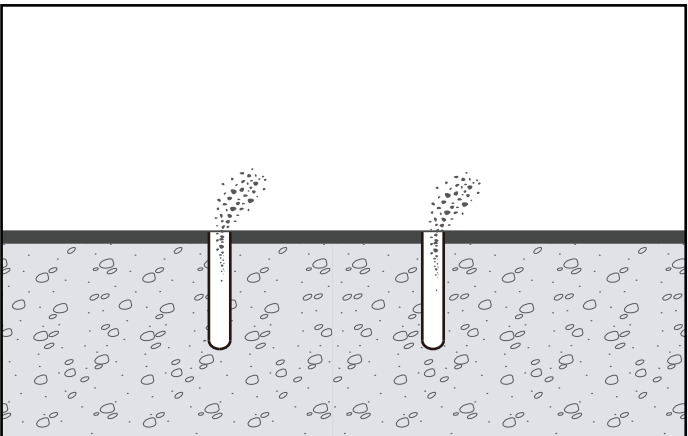
Step 1

Place bolt template on desired location and mark hole location for drilling.



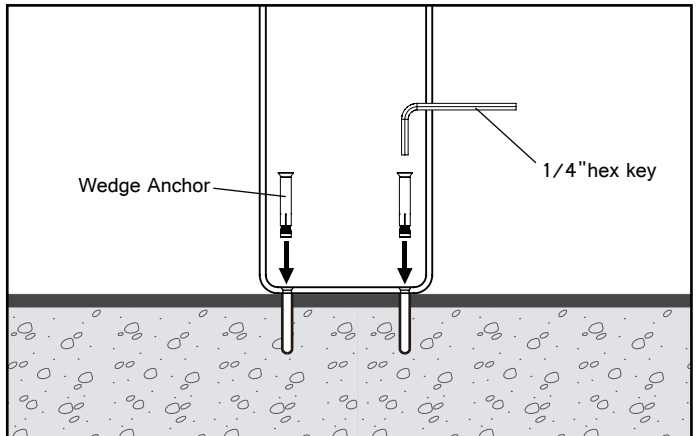
Step 2

Use hammer drill to drill 4" deep x 9/16" diameter anchor hole at each marked location using a 9/16" drill bit suitable for concrete drilling.



Step 3

Use compressed air and steel wire brush to clear the debris from holes.



Step 4

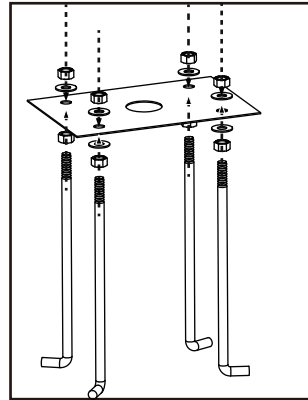
Position bike rack to line up with holes. Insert wedge anchor into mounting holes and secure with 1/4" hex key; tighten until snug.

Solar Bike Rack - Embedded(AKE)

MATERIALS INCLUDED

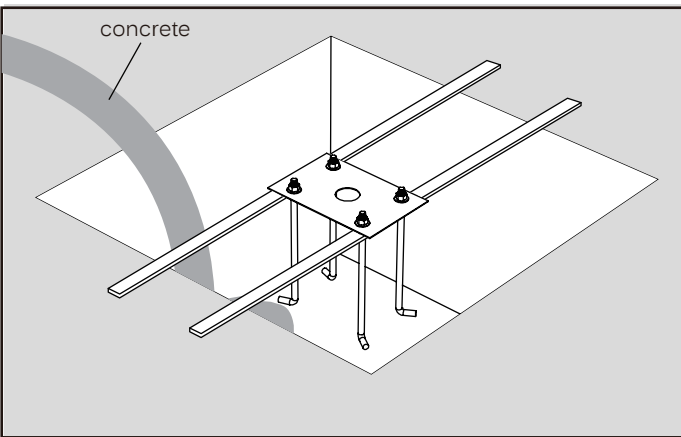
AK-E (Embedded)

- 1 bolt template
- 4 L-shaped hot dipped galvanized anchor bolts (1/2"x12")
- 8 hot dipped galvanized nuts
- 8 hot dipped galvanized washers



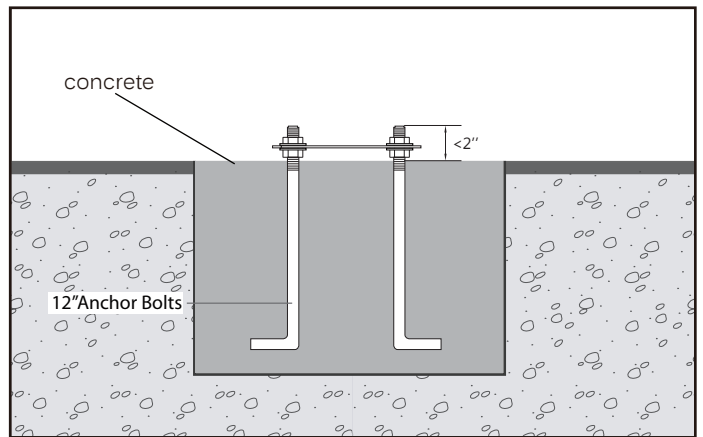
Step 1

Place leveling nuts on L-shaped anchor bolts, followed by nut, washer, bolt template, washer and nut.



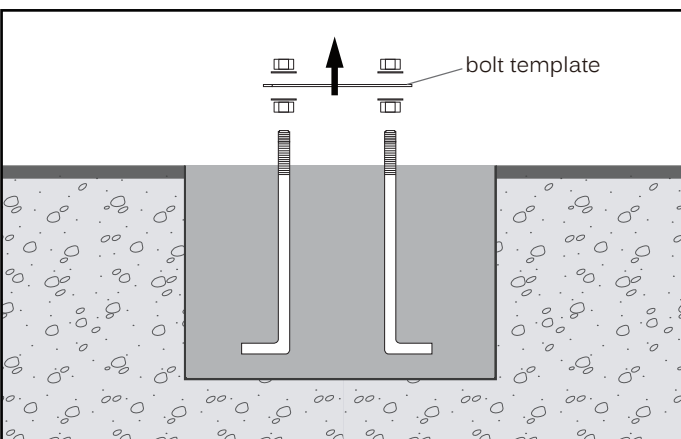
Step 2

Place assembled bolt template in desired location and pour in concrete.



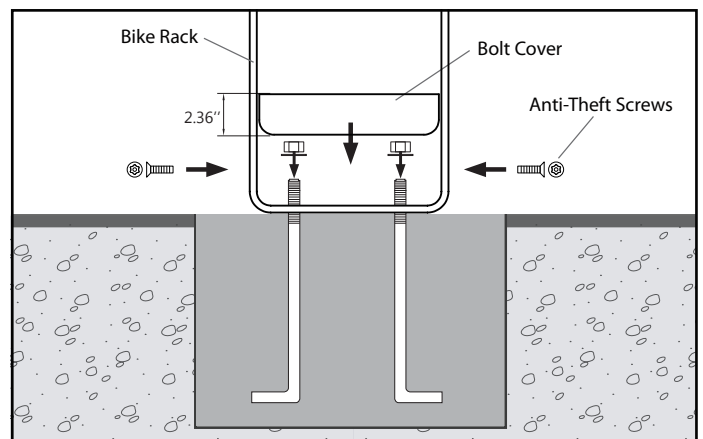
Step 3

Use leveling hardware to adjust to desired height after pouring. (Notes: Make sure there is less than 2 inches between the concrete and top of the anchor bolts.)



Step 4

Once concrete has cured properly, remove bolt template by loosening nut and washer.



Step 5

Position bike rack, place bolt cover over anchor bolts and secure with anti-theft screws.